



WORK TABLE CROSS PANEL

ATLANTIC
FURNITURE

ASSEMBLY INSTRUCTIONS

Phillips head
screwdriver



Customer supplied

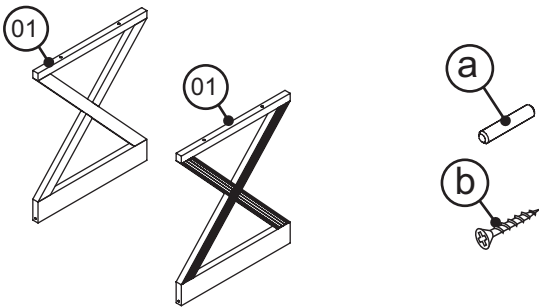
Before attaching your Cross side panels, please read through these instructions carefully, familiarising yourself with the different parts.



Assembling by Adult

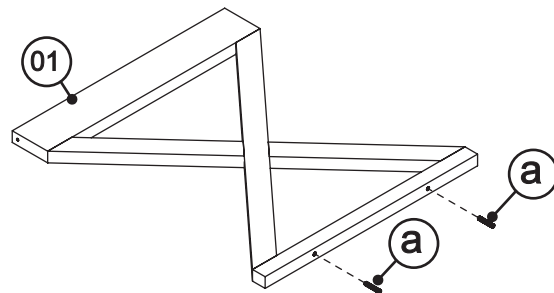
PARTS LIST

- | | | |
|----|------------------|-------|
| 01 | CROSS SIDE PANEL | 2 PCS |
| | a - Wood dowel | 4 pcs |
| | b - Wood screw | 4 pcs |



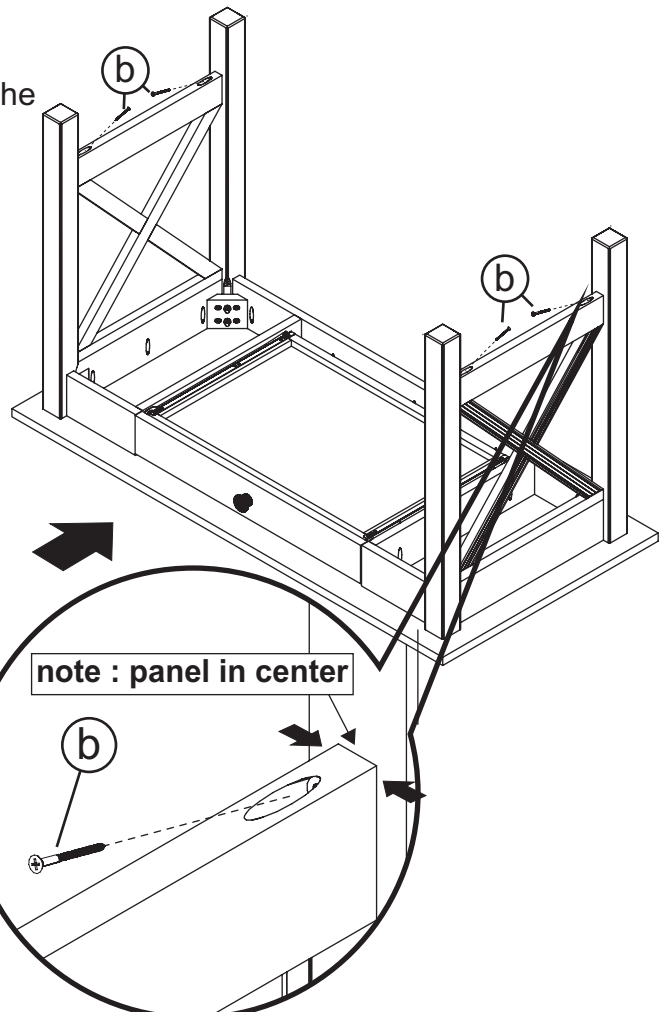
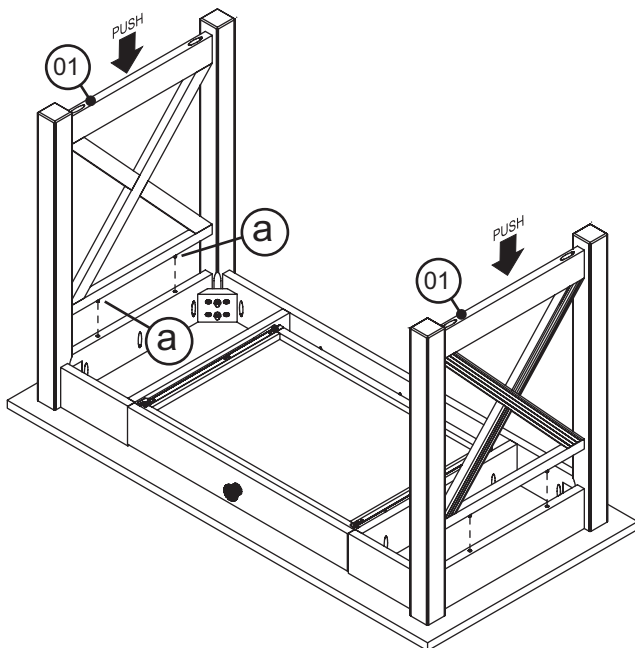
STEP 1

Install wood dowels (a) into the locator holes on (01) as shown below. Repeat with the other panel.



STEP 2

Attach side panels (01) to work table aligning the dowels (a) with the holes in the apron. Be sure the panel is centered before tightening the wood screw (b).



CROSS SIDE PANEL SHOWN WITH COMPUTER WORK TABLE TOP PANEL with DRAWER